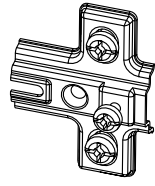


**A x2**



**B x2**

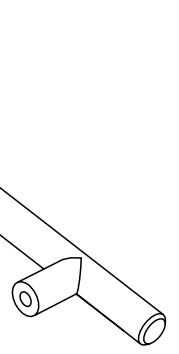


**C x4**

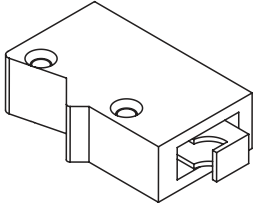
3,5 x 16 mm



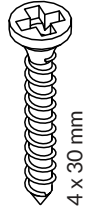
**D2 x2**



**D1 x1**

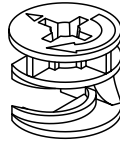


**E x2**



**F x4**

4 x 30 mm



**G x8**



**H x8**

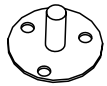


**I x8**

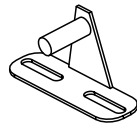


**J x5**

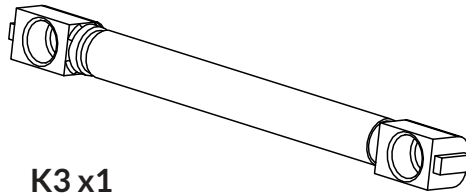
3 x 13 mm



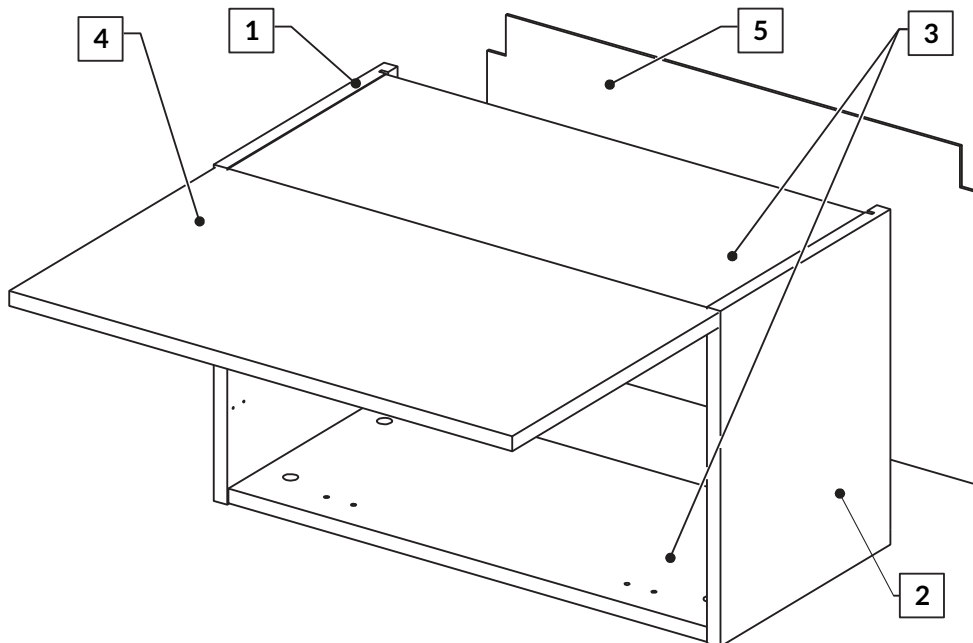
**K1 x1**



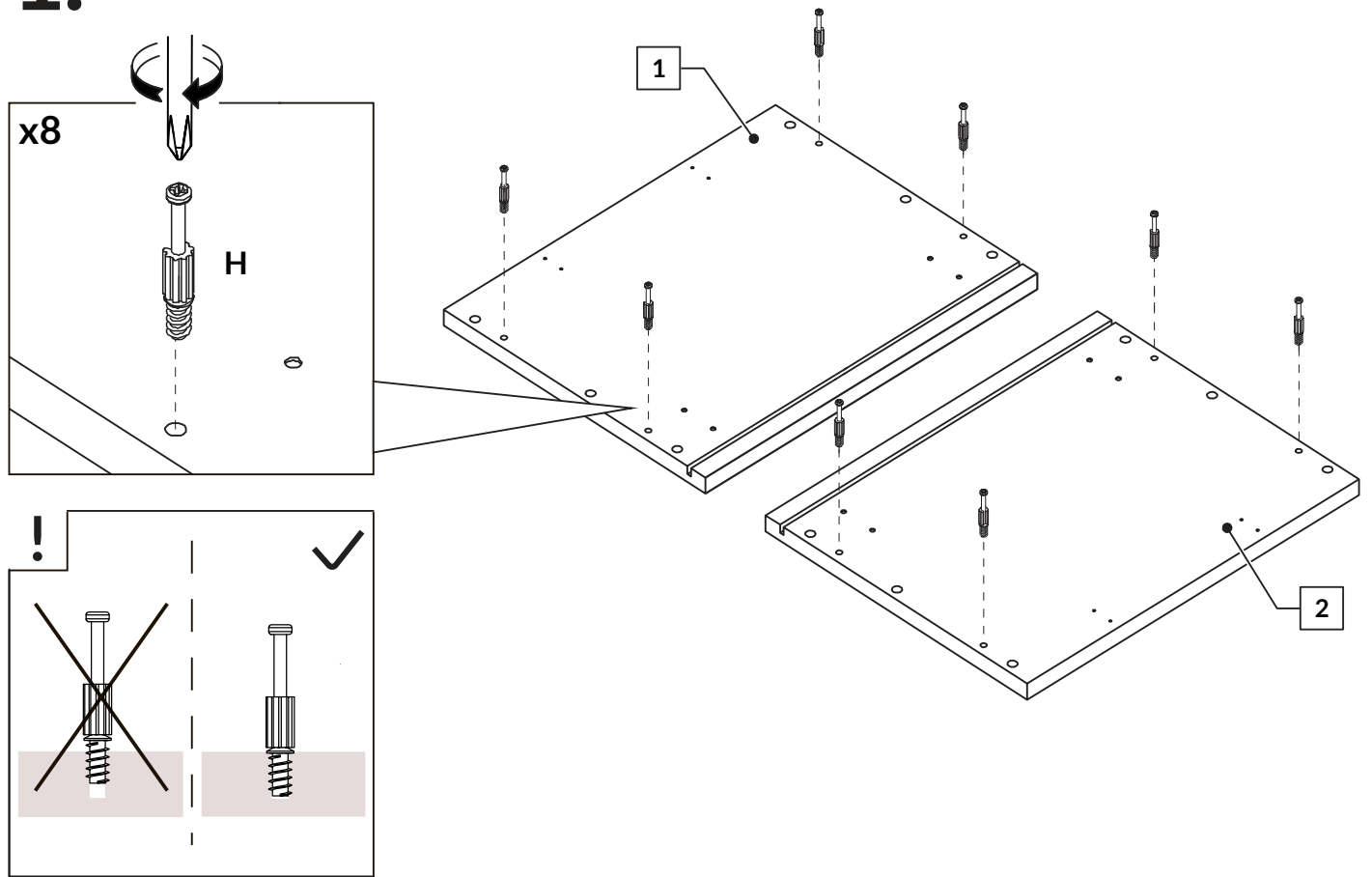
**K2 x1**



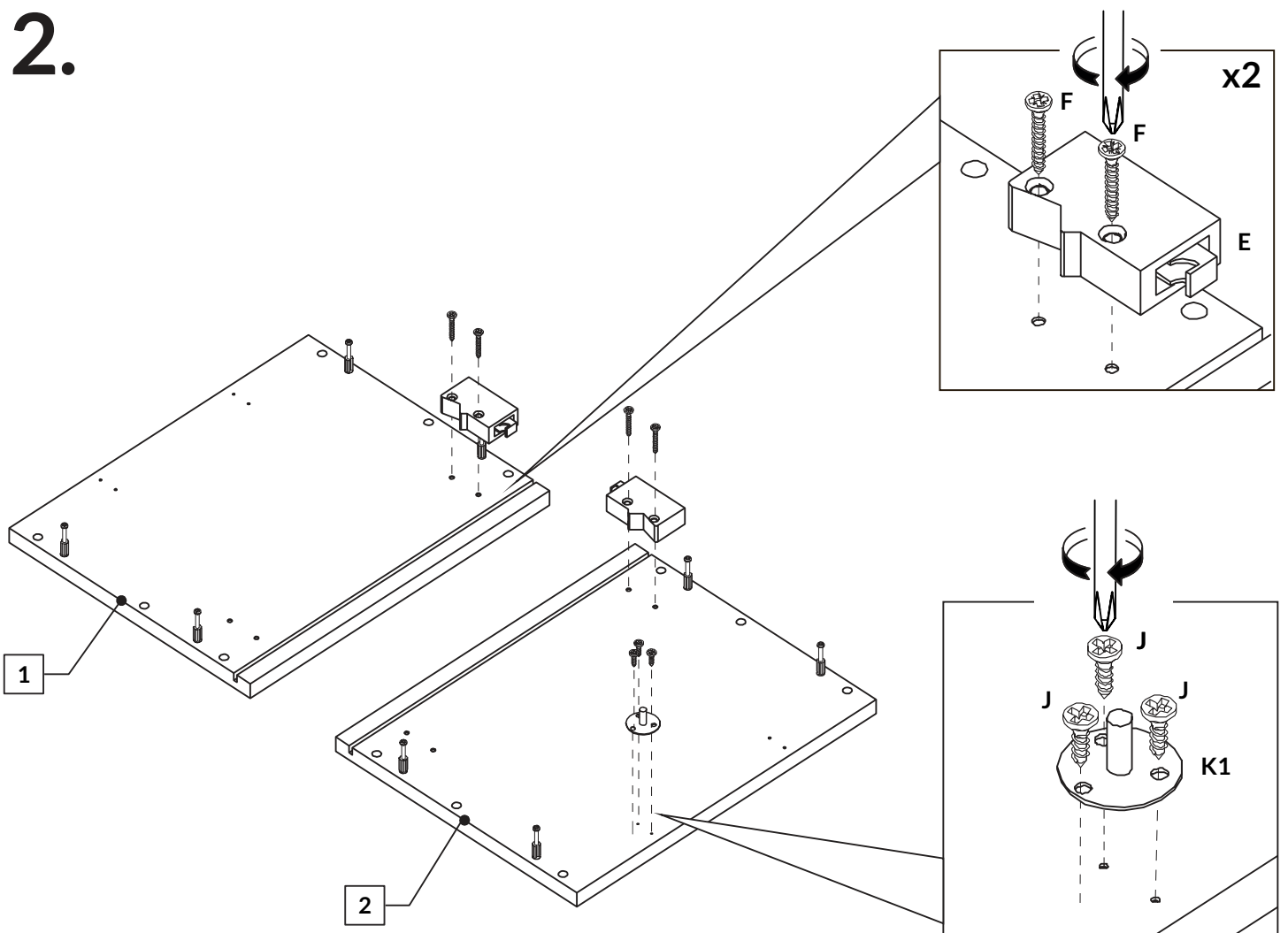
**K3 x1**



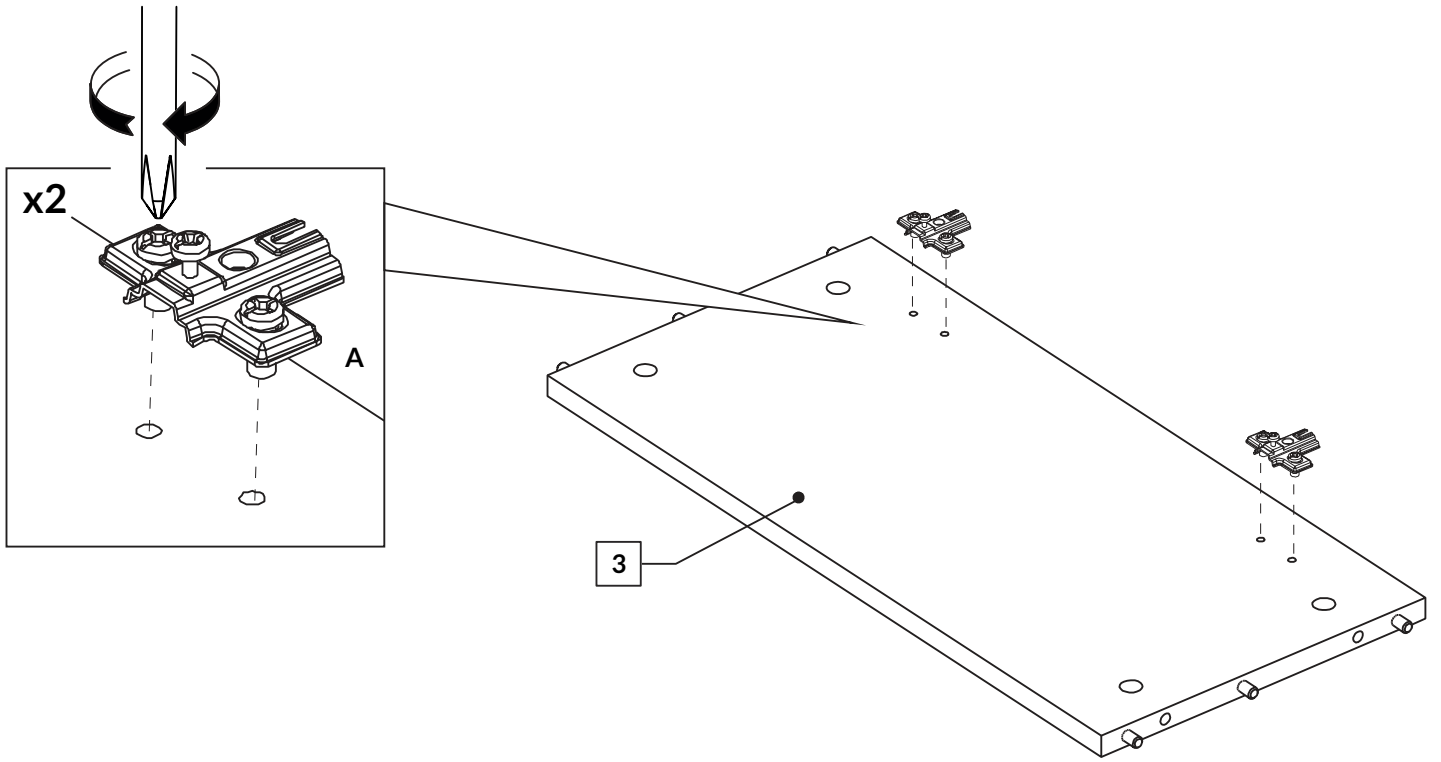
# 1.



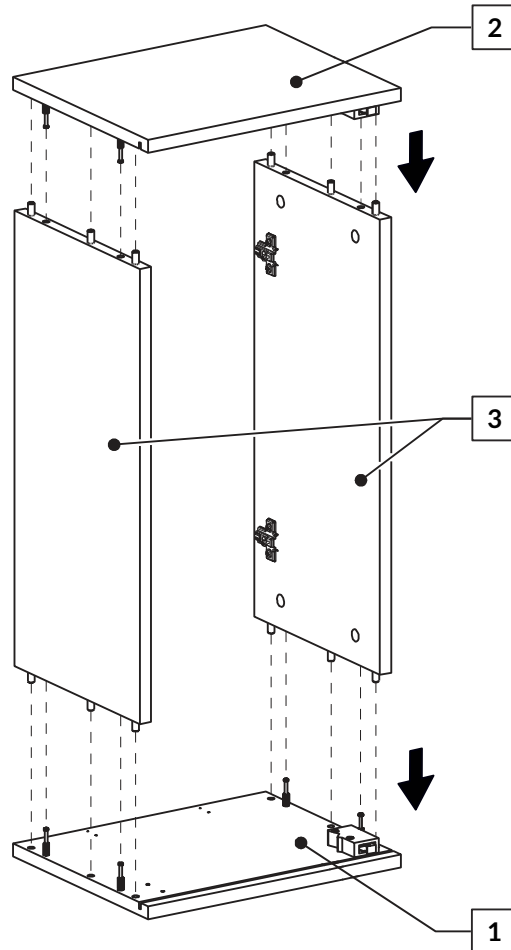
# 2.



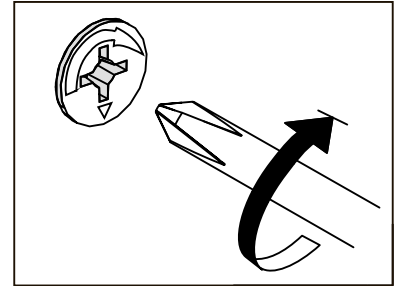
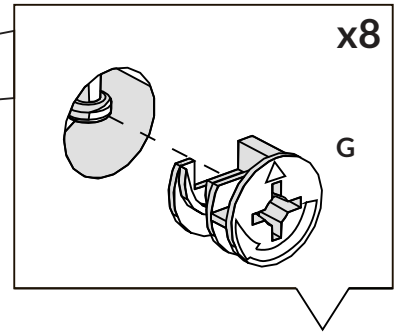
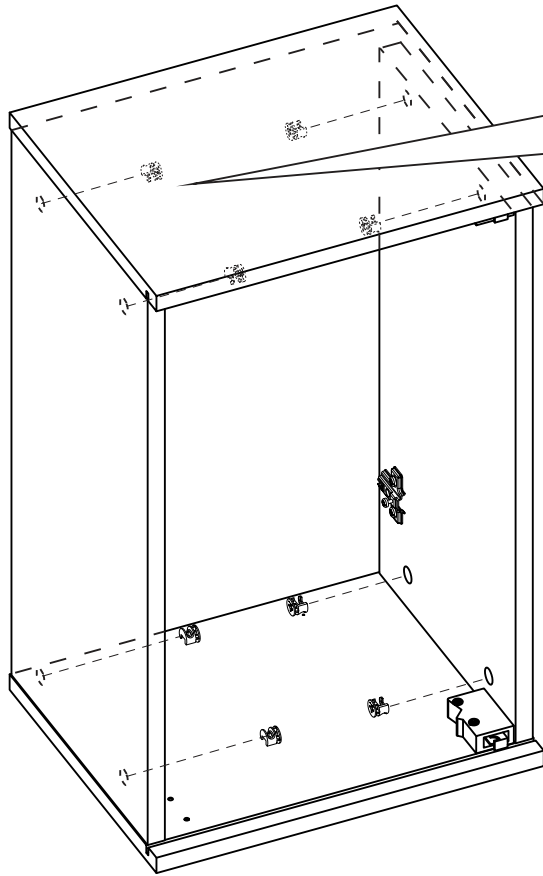
3.



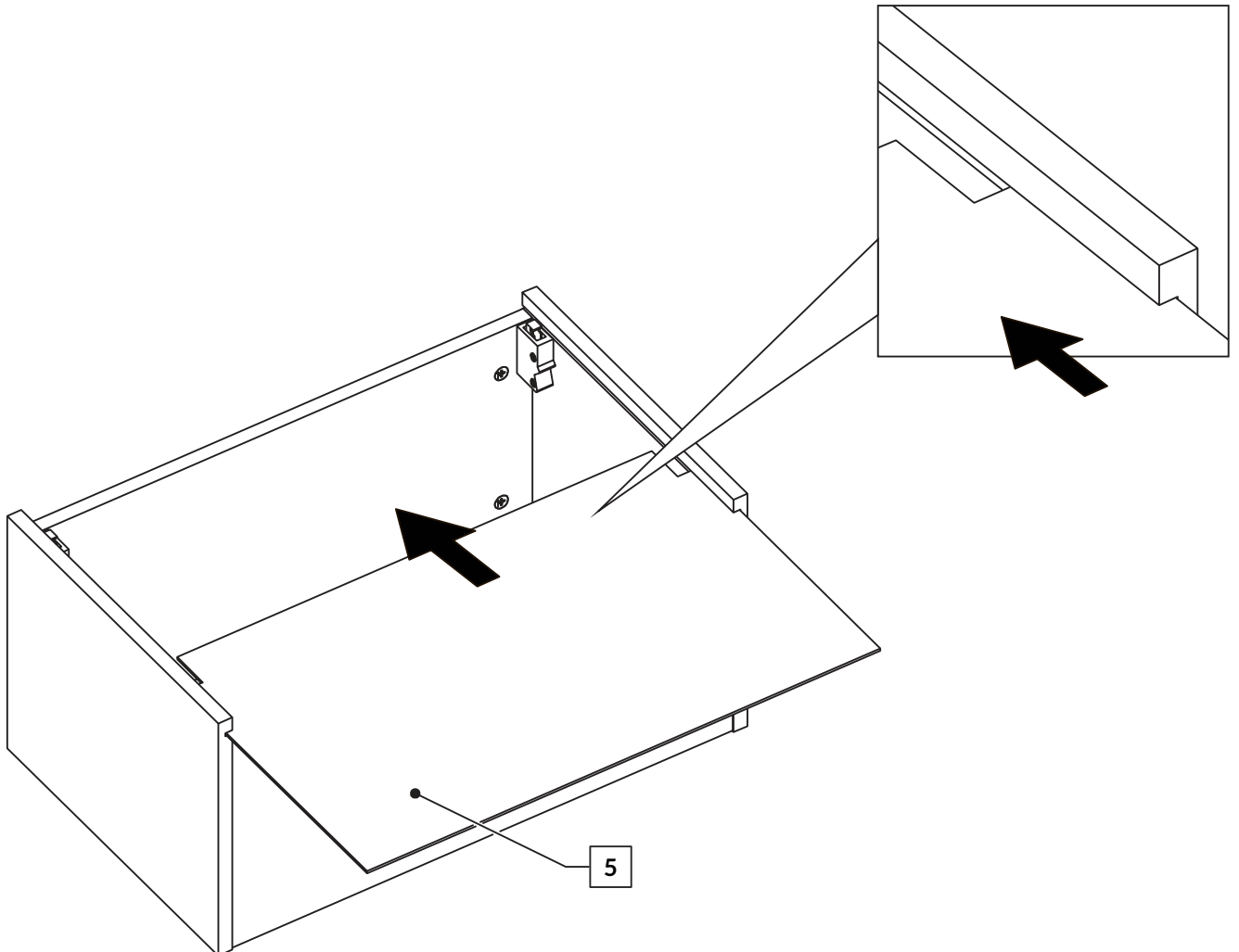
4.



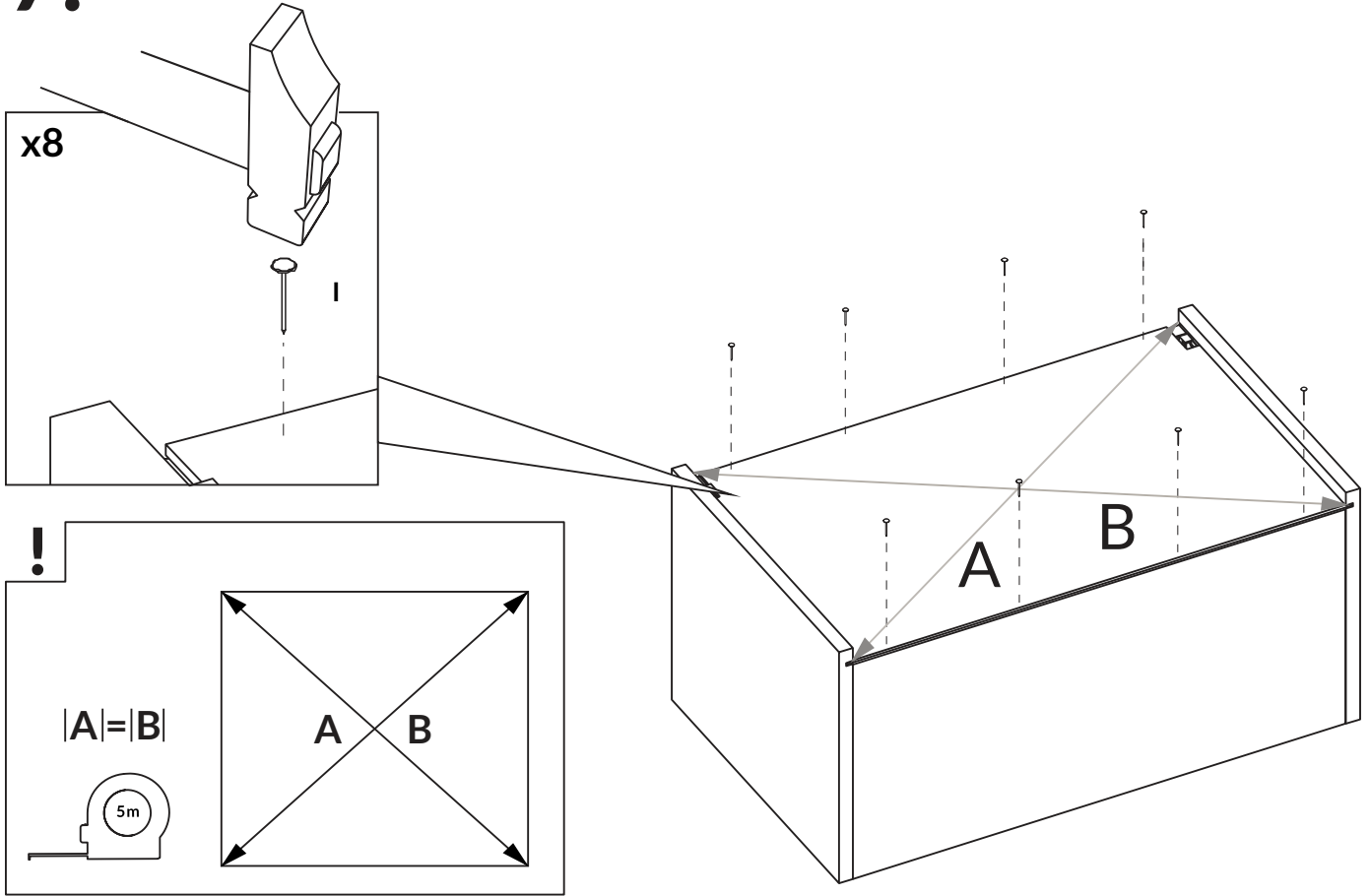
5.



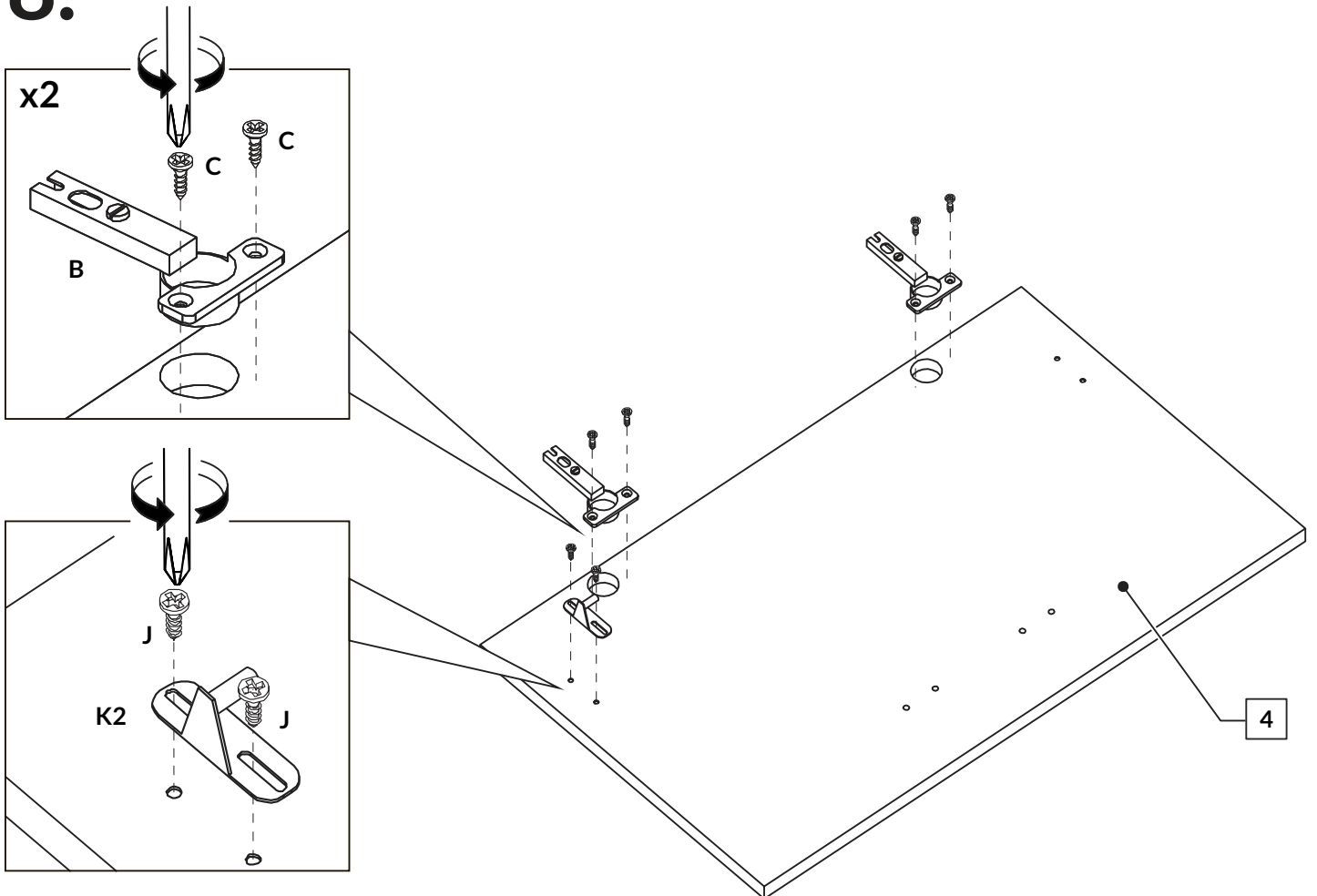
6.



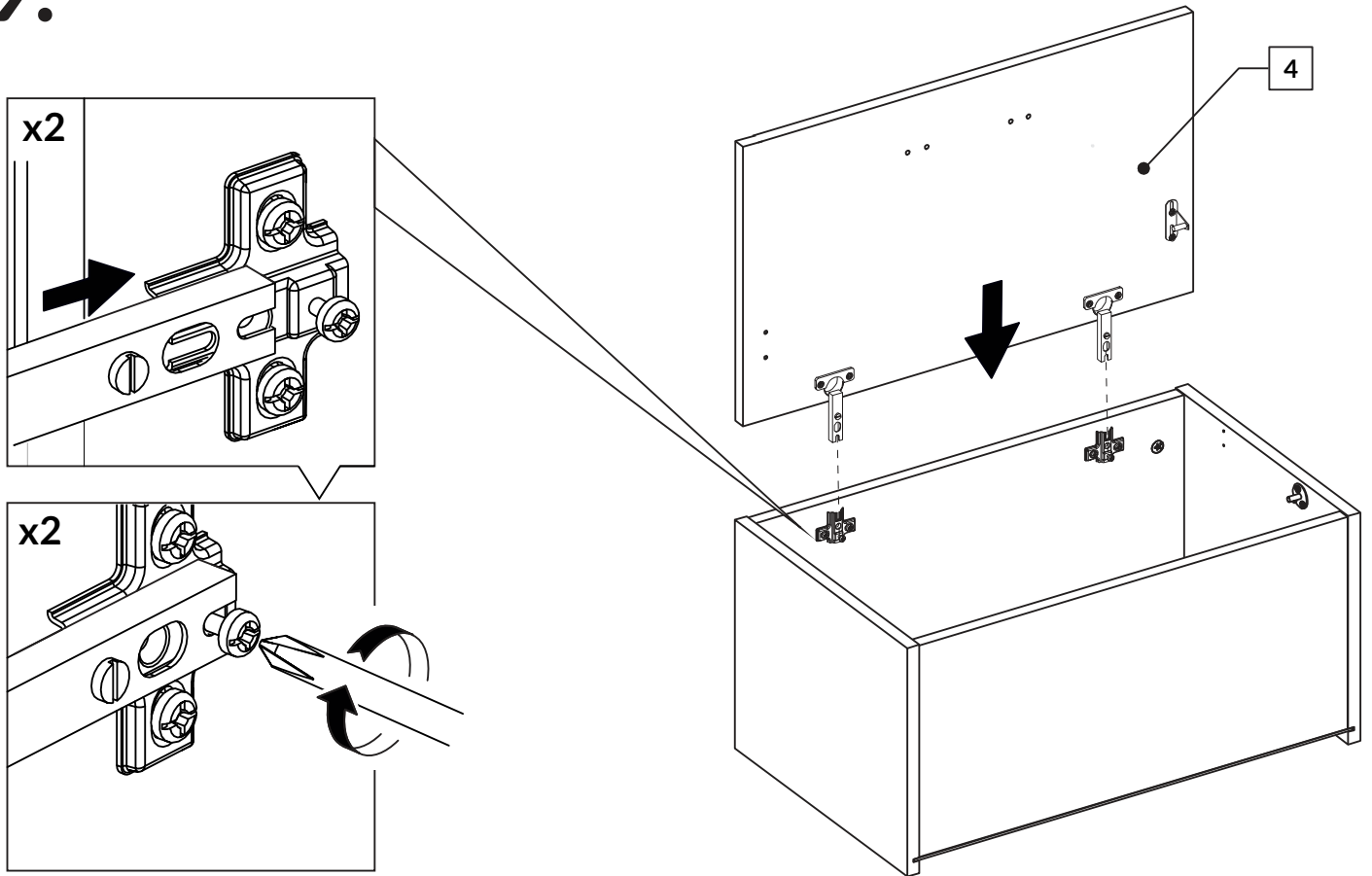
# 7.



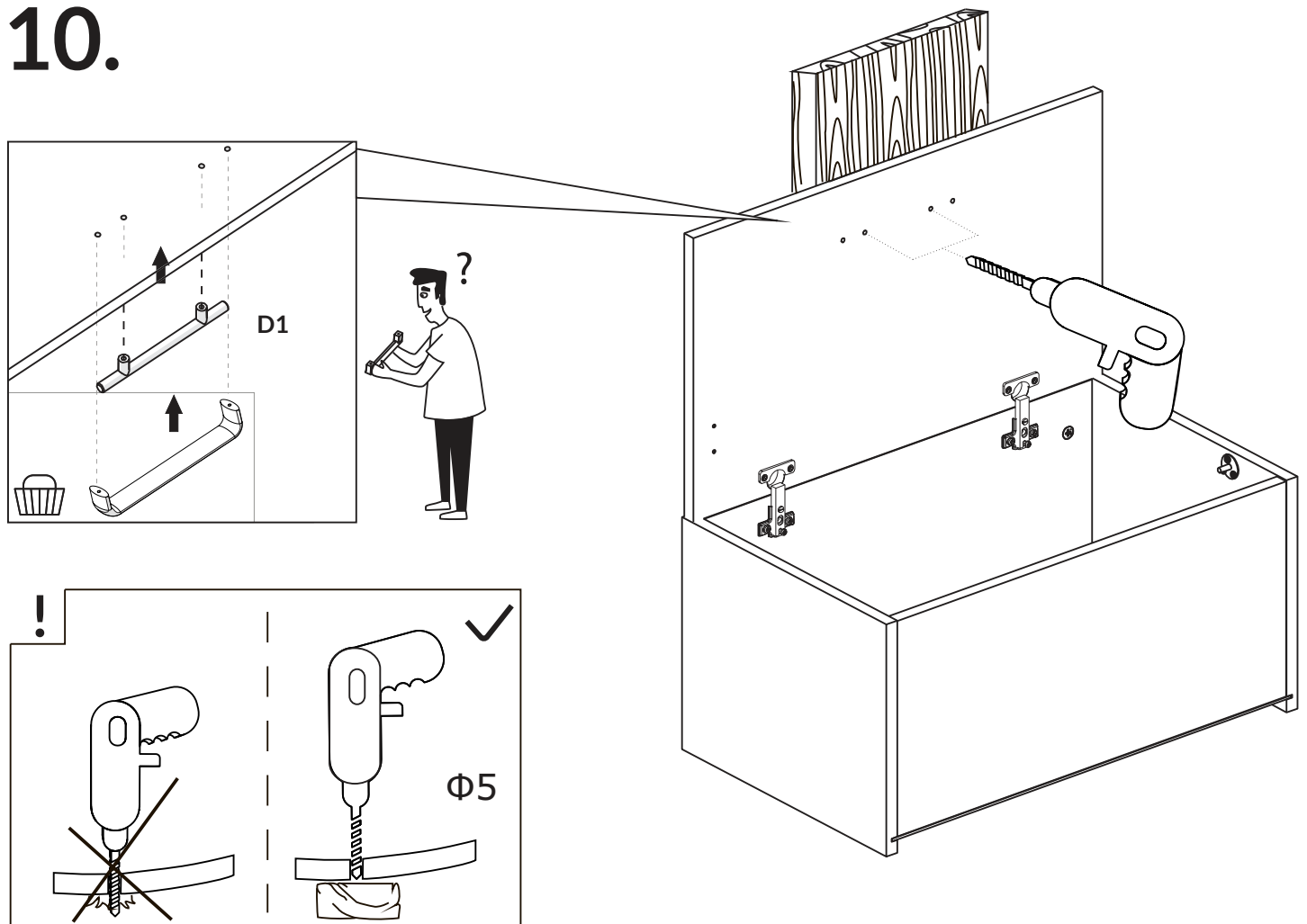
# 8.



# 9.

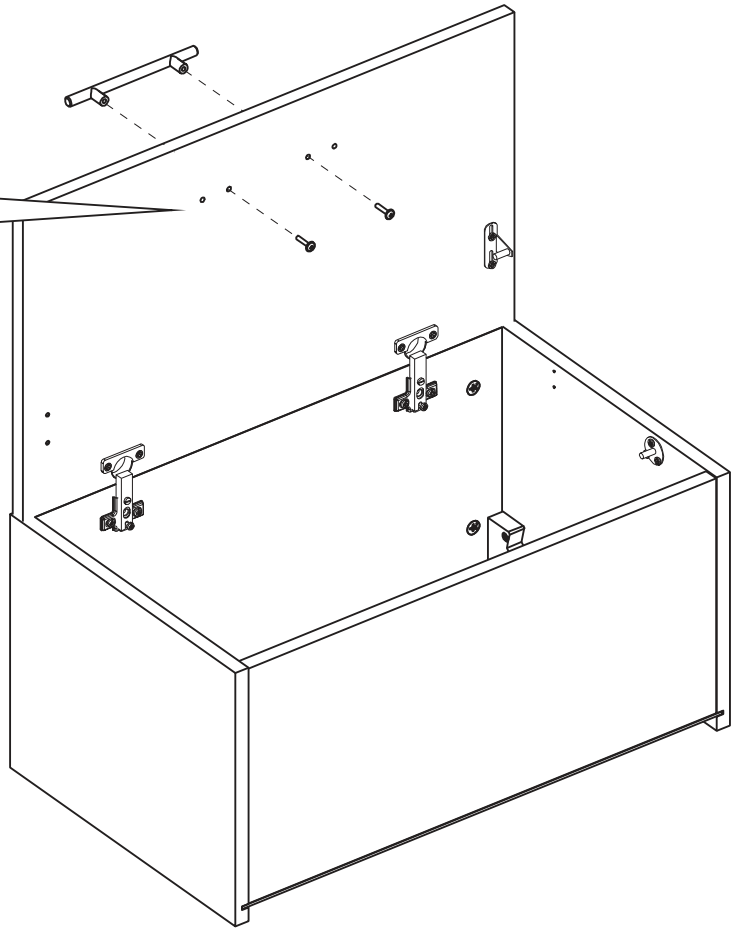
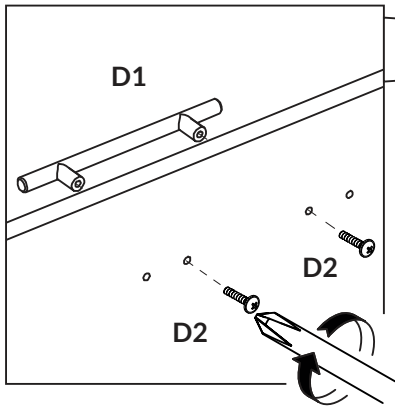


# 10.

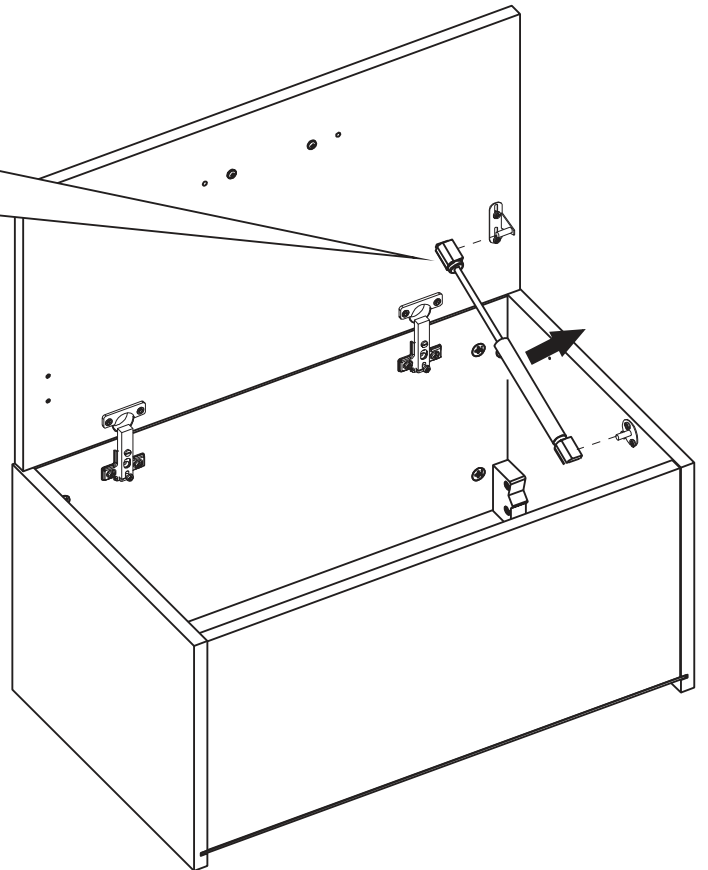
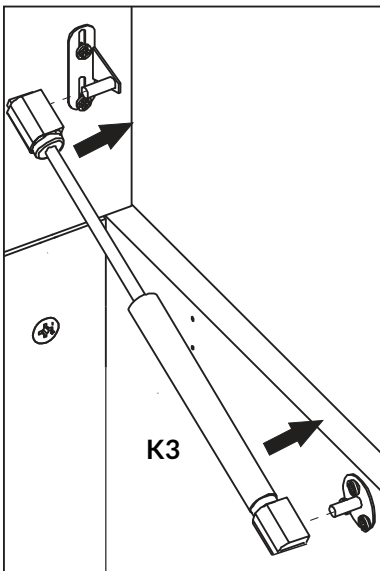


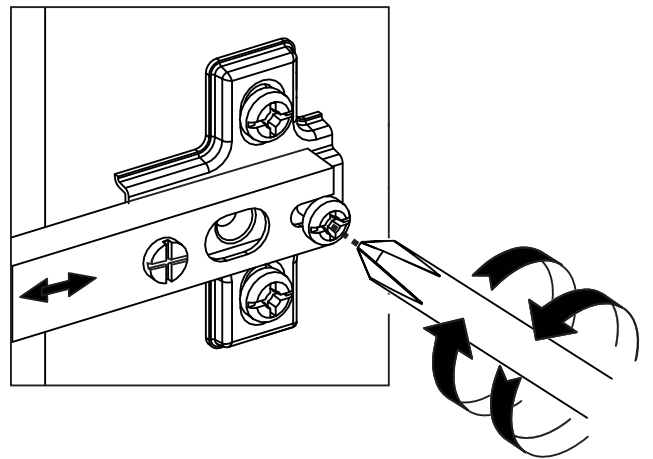
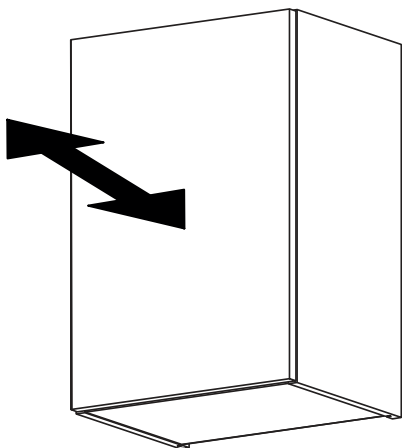
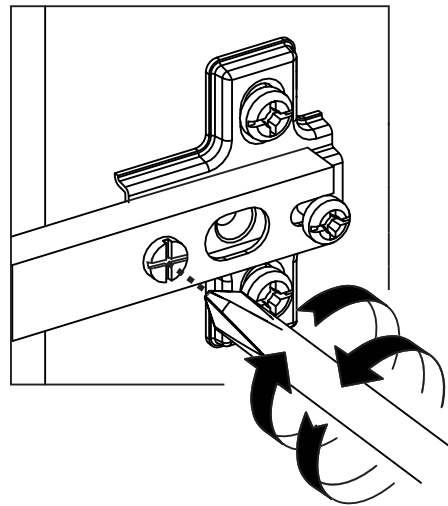
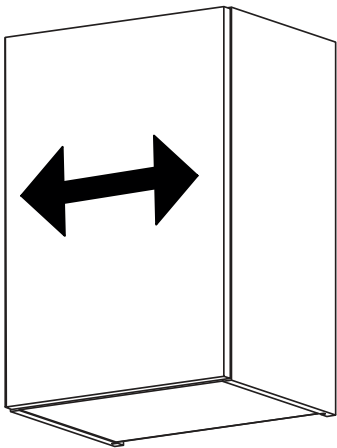
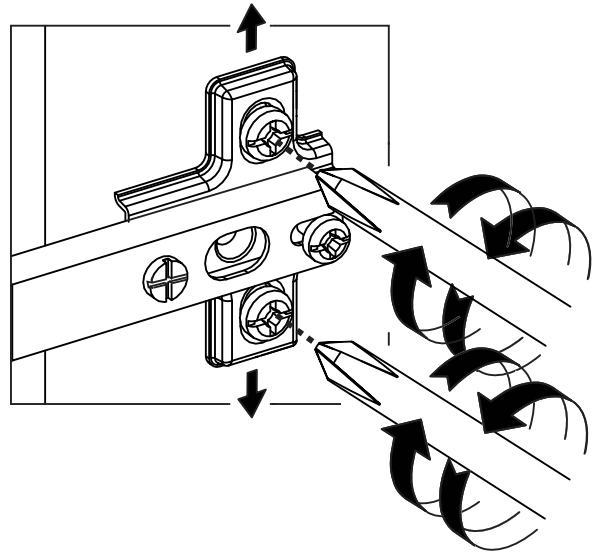
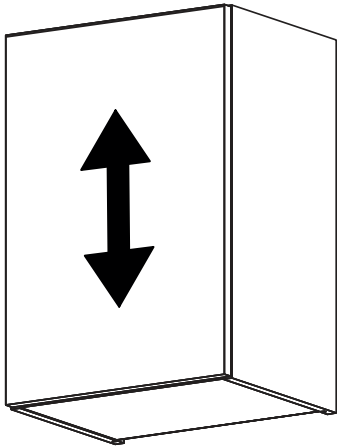


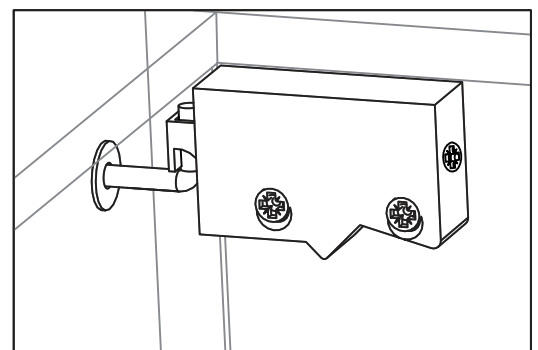
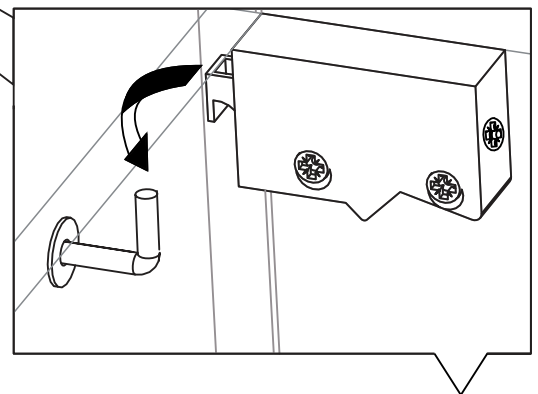
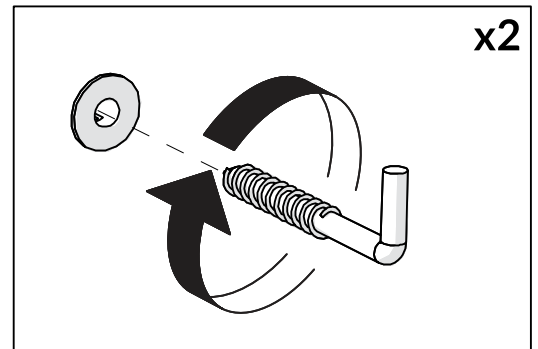
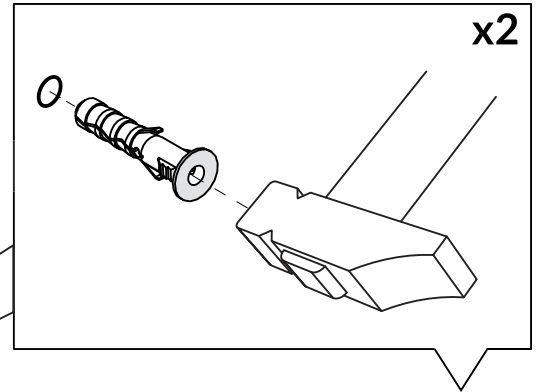
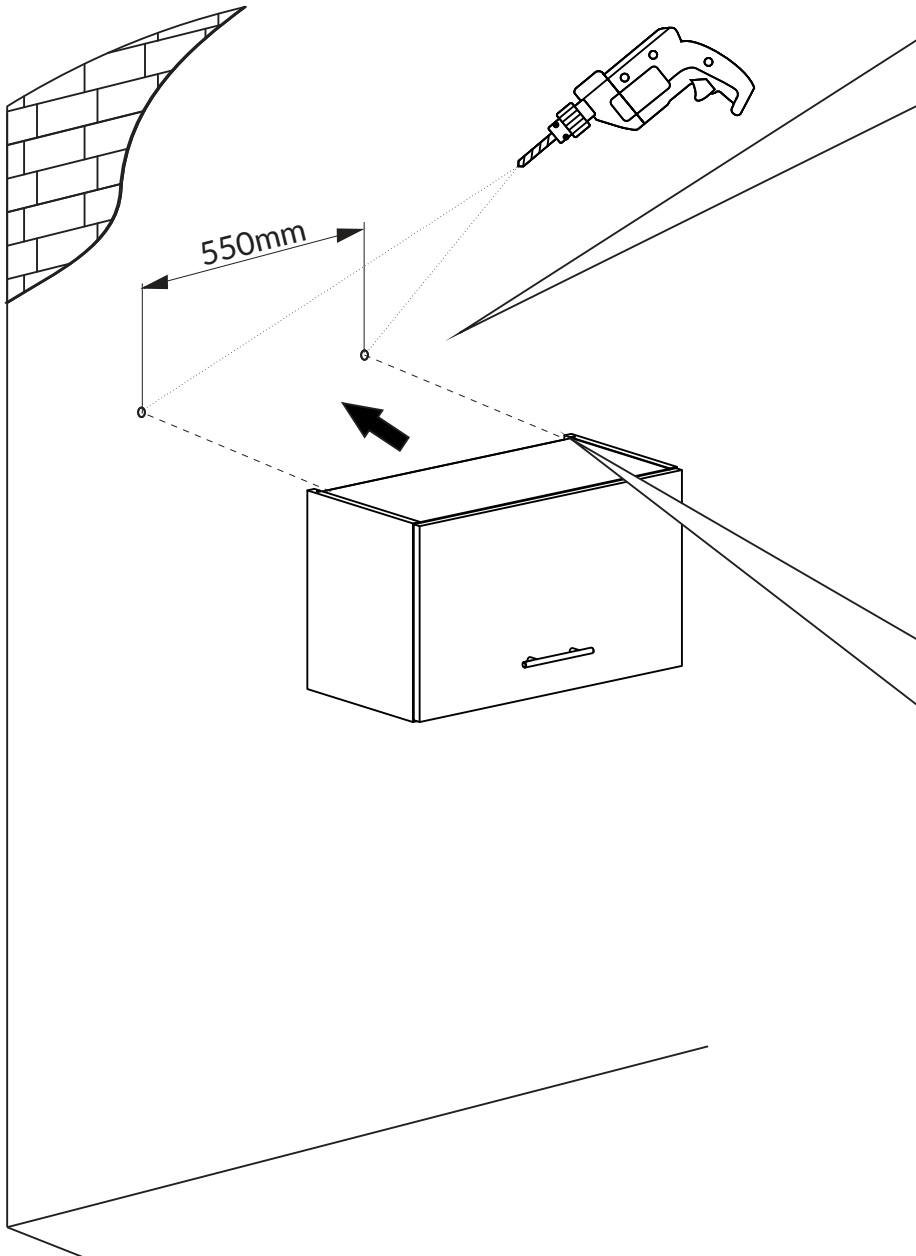
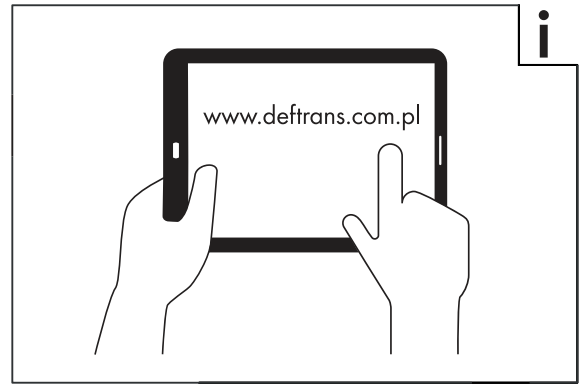
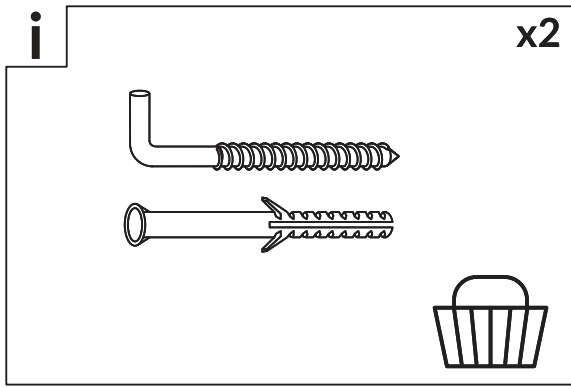
# 11.

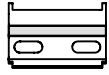
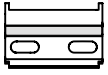
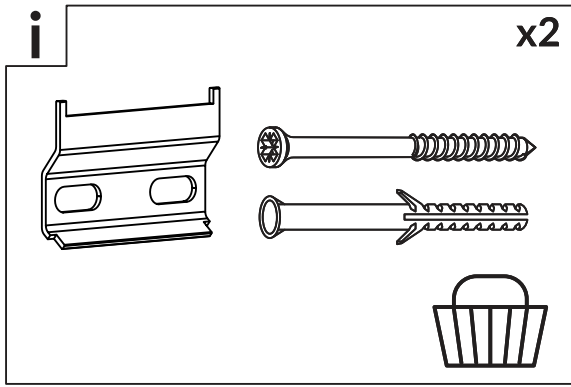


# 12.

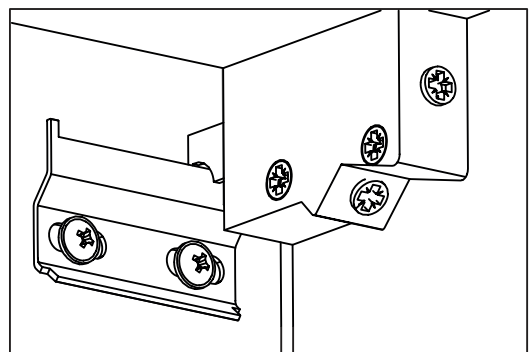
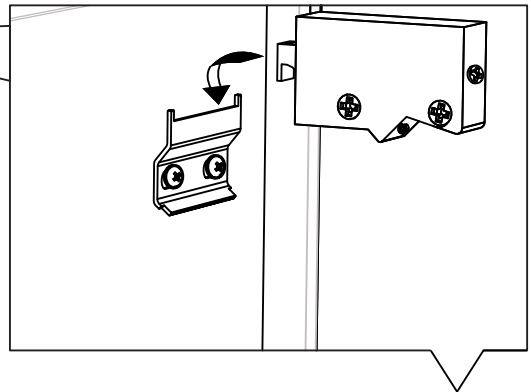
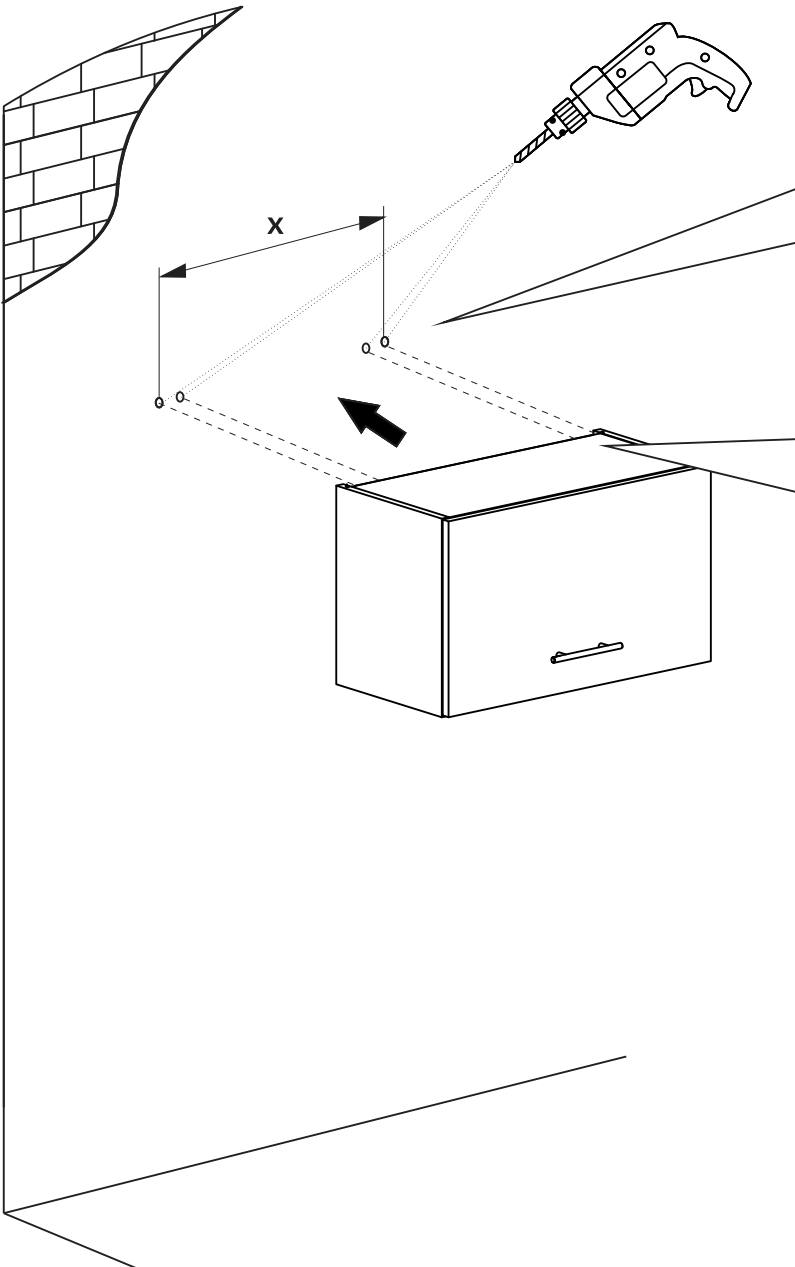
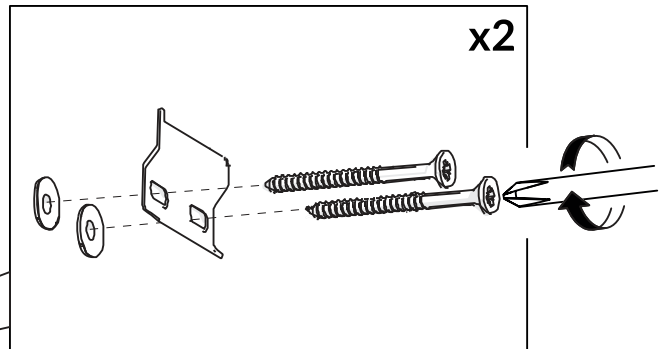
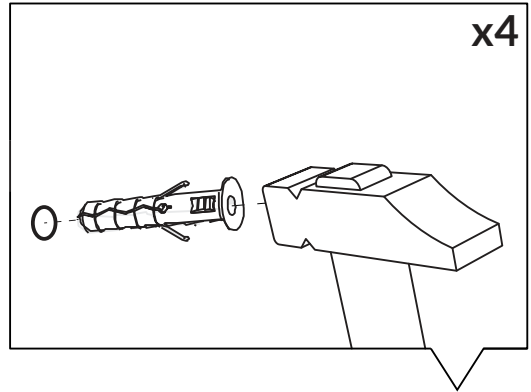




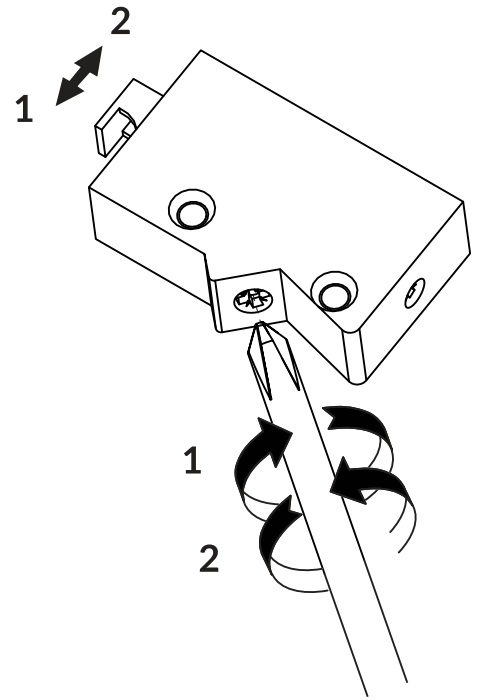
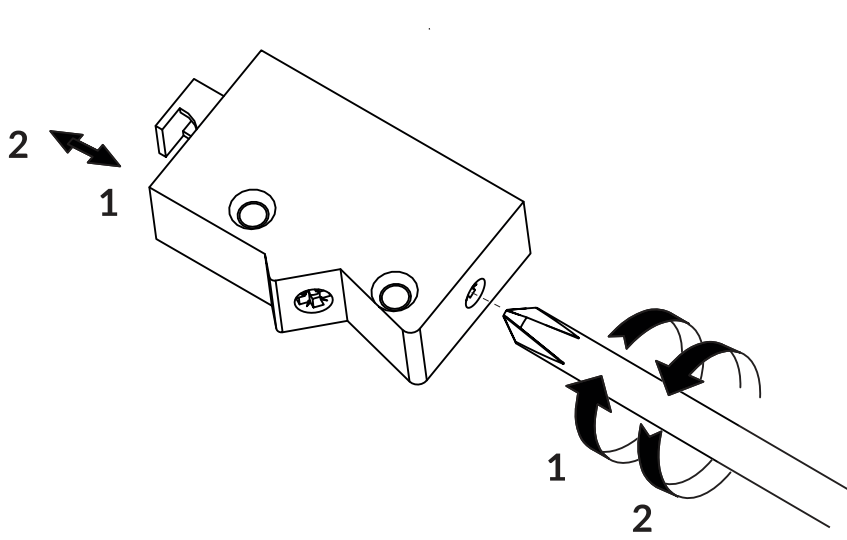




x: 
|
|
568mm



i



i